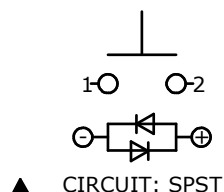
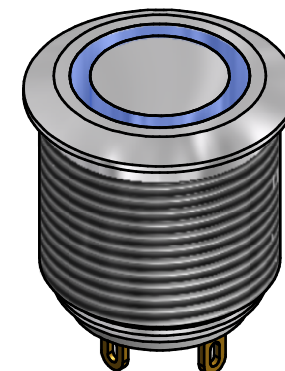
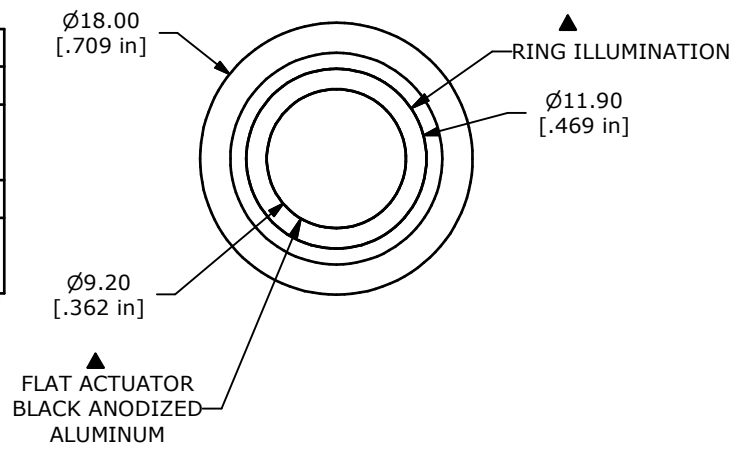
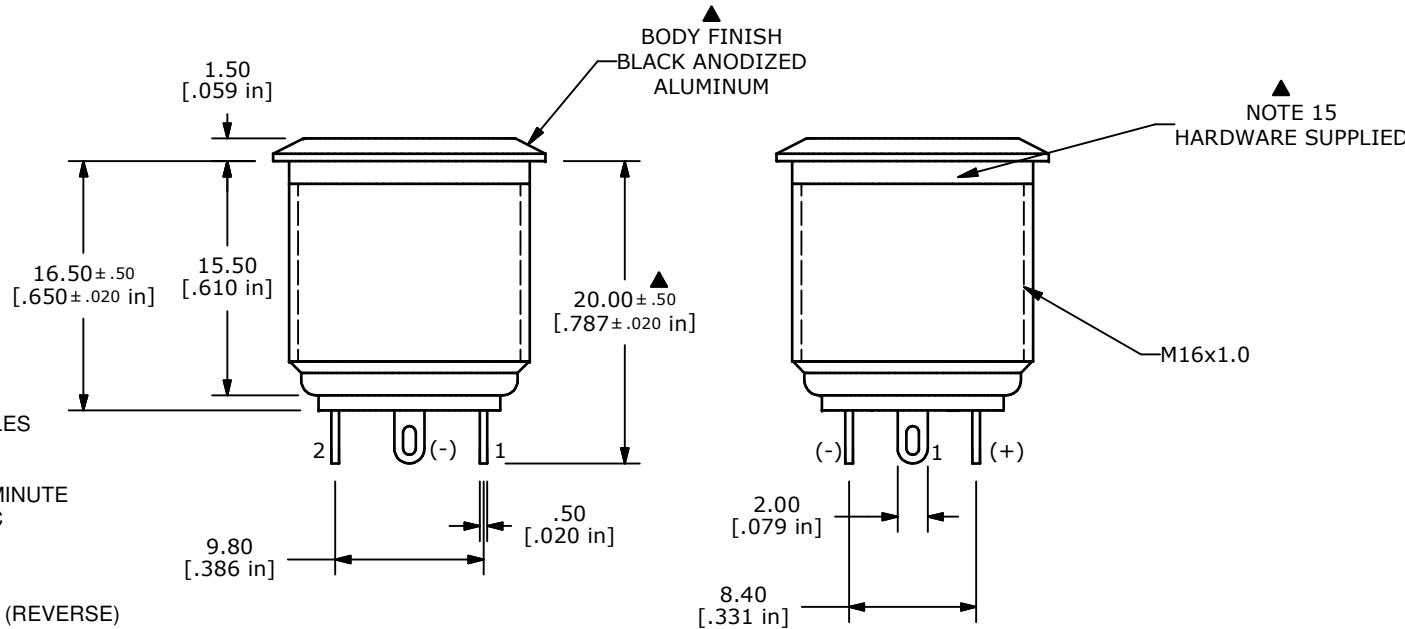


SWITCH FUNCTION	
POS. 1	POS. 2
OFF	(ON)
OPEN	1-2

(ON) = MOMENTARY



- NOTE:
1. ALL DIMENSIONS IN MM [INCH]
  2. GENERAL TOLERANCE: X.X=±0.4  
X.XX=±0.25
  3. TERMINAL NUMBERS FOR REF ONLY
  - ▲ 4. CONTACT MATERIAL: SILVER PLATED
  5. RATING: 2A 48VDC
  6. ELECTRIC LIFE: 200,000 MAKE-AND-BREAK CYCLES AT FULL LOAD.
  7. INSULATION RESISTANCE: 1,000 MΩ MIN.
  8. DIELECTRIC STRENGTH: 2,000 VAC MIN. FOR 1 MINUTE
  9. CONTACT RESISTANCE: 50mΩ MAX. @ 1A 12VDC
  10. OPERATING TEMP.: -20°C to 55°C
  - ▲ 11. TRAVEL: 1.8mm
  12. ▲ DENOTES CRITICAL PARAMETER.
  - ▲ 13. ILLUMINATION COLOR: BLUE (FORWARD), BLUE (REVERSE)
  14. HARDWARE SUPPLIED: O-RING AND HEXNUT (NOT SHOWN)
  15. ILLUMINATION BASE RATING: 20mA 2.8V
  16. 2002/95/EC (ROHS) COMPLIANT



A	21063	RELEASE FOR PRODUCTION	3/13/13	EBP
REV	PCR NO	DESCRIPTION	DATE	BY
THE INFORMATION CONTAINED IN THIS DOCUMENT IS PROPRIETARY TO E-SWITCH AND IS NOT TO BE COPIED OR TRANSFERRED				

TITLE PV6F24011-341				
SCALE	DATE	DR	DWG	REV
	3/13/2013	EBP	52-PV6F24011341	A